

SONY

Hi-Fi Products
Service Bulletin

Sony Service Company - Technical Services
A Division of Sony Corporation of America
Sony Drive, Park Ridge, New Jersey 07656

Model: D-515

No. 314

Subject: Disc Does Not Rotate

Date: January 12, 1993

Symptom:

(61)

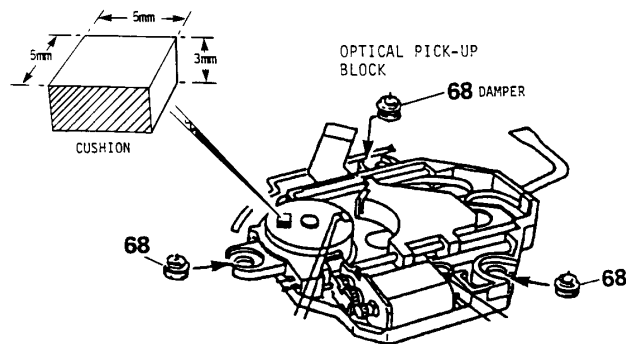
Broken dampers allow the chassis to drop too low into the lower cabinet. This causes the disc to contact the middle cabinet, preventing disc rotation.

Solution:

Replace the dampers with an improved type. Install a cushion on the bottom of the CLV motor. The part number for the new dampers is the same as the part number for the original dampers, but the National Parts Center will only supply the new (black) dampers.

REF	FORMER		NEW	
	DESCRIPTION	PART NUMBER	DESCRIPTION	PART NUMBER
-	-	-	CUSHION	9-911-841-99
68	DAMPER (BLUE)	4-949-107-01	DAMPER (BLACK)	4-949-107-01

Applicable serial numbers: 108,001 ~ 113,000



Reference: Tech. News GA92034



PRINTED IN U.S.A.
CSA-13193-1

CSA-13 Portable Disc Player